

Ordering information:

PJ31080 - L PB □ □ T 00 □

(1) (2) (3) (4) (5) (6) (7)

- (1):Series No.
- (2):Schematic option: L
- (3):Material of housing:
PB=PBT(Standard)
- (4):Housing color:
0A=Black 2R=Red (0388)
5B=Green (0387)
6A=Blue (284C/0011)
- (5):Terminal plating
T=Tin(Sn) (Standard)
- (6):Special option:
00=No special option
- (7):Packing mode:
3=Plastic box packing
4=Bag packing

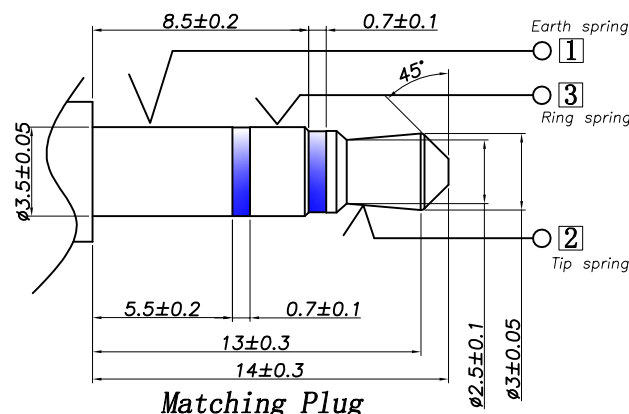
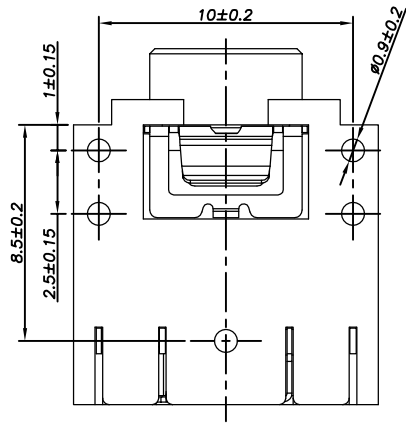
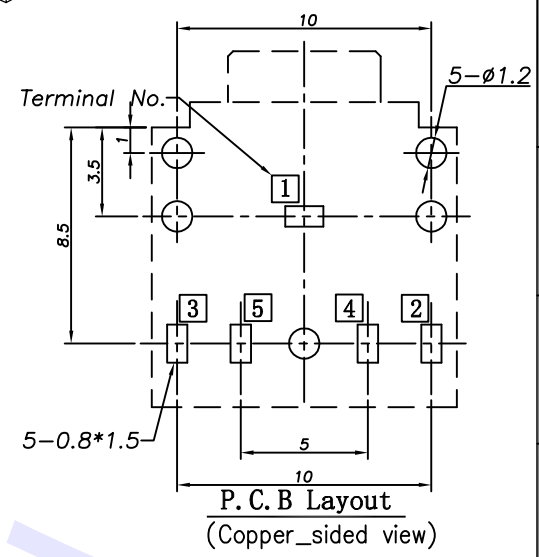
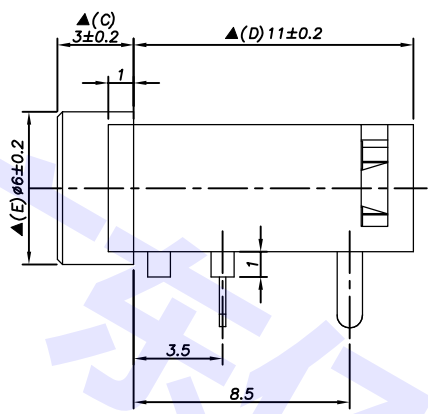
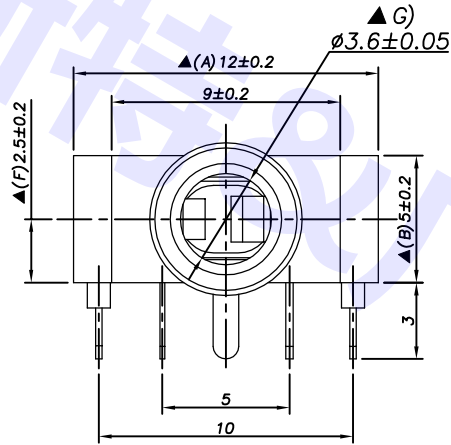
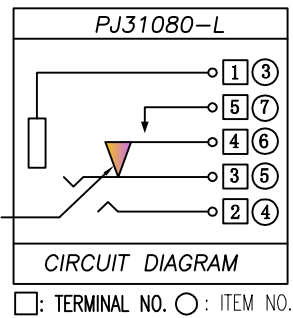
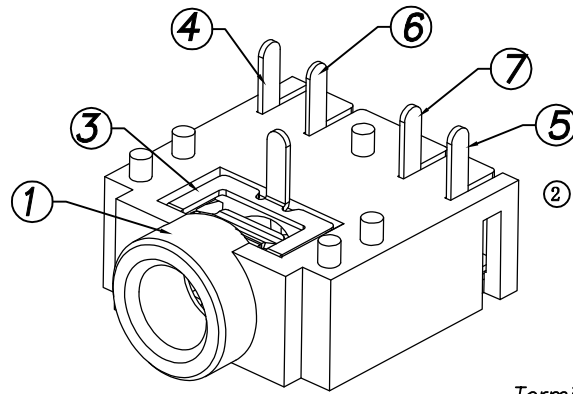
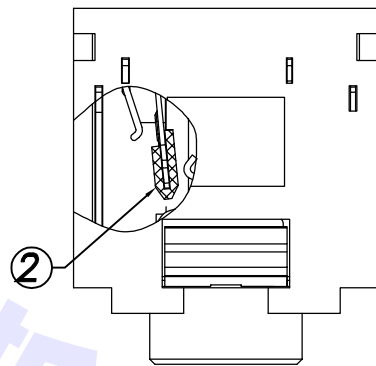
Specification:

- 1. Rating : DC 30V 0.5A;
- 2. Contact resistance: $\leq 50m\Omega$;
After test: $\leq 100m\Omega$
- 3. Insulation resistance: $\geq 100M\Omega$ (500VDC);
After test: $\geq 50M\Omega$
- 4. Withstand voltage: 500VAC ;
- 5. Insertion and extraction force: 3N~25N;
- 6. life test: 5000cycles min;
- 7. Operation temperature range: -20°C ~70°C
- 8. Preservative temperature range: -40°C ~85°C
- 9. Sign "▲" is importance dimension

REV. LTR.
▲

Add the key sizes of sign

SIGN
DATE
yang gang 2010.06.23



⑤	Break terminal	⑤	1	Phosphor bronze 0.25t	PJ31080-05	Tin(Sn) plating
⑥	Transfer spring	④	1	Phosphor bronze 0.20t	PJ31080-04	Tin(Sn) plating
⑤	Ring spring	③	1	Phosphor bronze 0.25t	PJ31080-03	Tin(Sn) plating
④	Tip spring	②	1	Stainless steel 0.20t	PJ31080-02	Tin(Sn) plating
③	Earth terminal	①	1	Phosphor bronze 0.25t	PJ30076-01 (JA-JK0044)	Tin(Sn) plating
②	Insulator		1	POM,UL-94HB	PJ31080-S4	Black
①	Housing		1	PBT,UL-94V-0	PJ31080-S1	

NO.	DESCRIPTION	QTY	MATERIAL	PLATING
UNIT: MM	TYPE:	MODEL NO:	PAPER NO: A4	PAGE 1 OF 1
	φ3.5 PHONE JACK (90° Dip type)	PJ31080-LPB _ _ T00_	TOLERANCE ±0.3	ANGLES ±2°
DESIGNER BY:	YangGang 2010.06.23		SCALE FULL	VER 03

GDEL
深圳市亿利百斯特电子有限公司